

Portable Power Distribution Box

16A / 32A / 63A / 125A

 **MENNEKES®**

Plugs for the world

Operating Manual

ENGLISH



Publisher MENNEKES
Elektrotechnik GmbH & Co. KG
Industrial plugs and sockets
Aloys-Mennekes-Str. 1
57399 Kirchhundem
GERMANY
Tel. +49 (0) 2723 / 41-1
Fax +49 (0) 2723 / 41-2 14
E-mail: info@MENNEKES.de
www.MENNEKES.de

Copyright © 2016 MENNEKES Elektrotechnik GmbH & Co. KG

All rights are reserved by the publisher, including the reprinting and the duplication of this manual and its translation, in whole or in part. No part of this manual may be reproduced in any form whatsoever, or copied with the aid of an electronic duplication system, without the written permission of the publisher.

Observe protection notice in accordance with DIN ISO 16016.

Contents

1. About this Document	4	7. Operation	14
1.1 Contact details	4	7.1 Opening/Closing of inspection window	14
1.2 Service.....	4	7.2 Connecting/Removing electrical consumers	14
1.3 Warning notices	4		
1.4 Symbols used	5		
2. For your safety	5	8. Taking out of service	15
2.1 Target groups.....	5	8.1 Taking the power distribution box out of service	15
2.1.1 Users (electrotechnical laypersons).....	5	8.2 Removing the earthing wire	15
2.1.2 Qualified electrician	5		
2.2 Basic safety information.....	6	9. Cleaning	15
2.3 Intended use	7	9.1 Cleaning with a dry cloth	15
2.4 Improper use	7	9.2 Cleaning with a damp cloth	16
3. Product description	8		
4. Technical data	9	10. Maintenance and repair	17
4.1 Ambient temperatures for operation	9	10.1 Maintenance in the case of domestic use	17
4.2 Storage conditions.....	9	10.2 Maintenance in the case of industrial use	17
4.3 Nameplate.....	9	10.3 Maintenance tasks.....	17
		10.3.1 Maintenance tasks performed by user	
		(electrotechnical layperson)	18
		10.3.2 Maintenance tasks performed by qualified	
		electrician.....	18
		10.4 Dismantling tasks for repair purposes	19
		10.4.1 Removing the front panel.....	20
		10.4.2 Removing the device carrier	20
		10.4.3 Removing sockets.....	20
		10.5 Installation tasks in the case of repairs.....	21
		10.5.1 Fitting sockets	21
		10.5.2 Fitting the device carrier	21
		10.5.3 Fitting the front panel	22
5. Prior to setting up	9	11. Faults	22
5.1 Transport of power distribution box	9	11.1 Troubleshooting	22
5.2 Maintaining the operating position.....	10		
5.3 Maintaining the protection class.....	10		
5.4 Checking and switching on protective elements	10		
5.5 Checking of power distribution box for defects.....	11		
5.6 Earthing of power distribution box (optional)	11		
5.7 Power distribution box with residual current device....	12		
5.7.1 Correct installation	12		
5.7.2 Incorrect installation	13		
6. Setting-up process	13	12. Storage and disposal	23
6.1 Putting the power distribution box into service..	13	12.1 Storing the device.....	23
6.1.1 Connecting the power distribution box	14	12.2 Disposal.....	23
6.1.2 Connecting electrical consumers	14		

1. About this document

© Copyright MENNEKES Elektrotechnik GmbH & Co. KG

This document and its entire contents are protected by copyright.

The content of this document is the property of MENNEKES Elektrotechnik GmbH & Co. KG and may not be duplicated or reproduced, in whole or in part, without the prior consent of the copyright holder. The German version of this manual is the original manual. Manuals in other languages are translations of this original manual.

Keep all of these documents for later reference and pass these on to the new user should the device change hands. The information provided in this manual applies exclusively to the devices described in this manual. In addition to this manual, the scope of delivery may also include further documentation (e.g. instructions for device components, diagrams, etc.) which must also be fully observed.

1.1 Contact details

MENNEKES

Elektrotechnik GmbH & Co. KG
Industrial plugs and sockets

Aloys-Mennekes-Str. 1
57399 Kirchhundem
GERMANY

Tel.: +49 (0) 2723 / 41-1
Fax: +49 (0) 2723 / 41-2 14
E-mail: info@MENNEKES.de
www.MENNEKES.de

1.2 Service

Please contact MENNEKES or your authorised service partner.

Please have the following information ready to hand:

- Type designation
- Serial number

1.3 Warning notices

DANGER

This warning notice indicates imminent danger that will result in death or extremely severe injuries.

WARNING

This warning notice indicates a dangerous situation that can result in death or extremely severe injuries.

CAUTION

This warning notice indicates a dangerous situation that can result in minor injuries.

ATTENTION

This warning notice indicates a dangerous situation that can result in material damage.

2. For your safety

1.4 Symbols used



The activities marked with this symbol may only be carried out by a qualified electrician.



This symbol is used to point out an important notice.



This symbol is used to point out supplemental, useful information.

- ▶ This symbol is used to point out a call for action.
- This symbol is used to point out a listing.
- ➔ This symbol is used to refer to another section in this manual.
- 📄 This symbol is used to refer to another document.
- ✓ This symbol is used to point out a result.

2.1 Target groups

2.1.1 Users (electrotechnical laypersons)

As a user, you are responsible for the device.

You are responsible for its proper and safe use.

This includes maintenance, repair, and troubleshooting measures, as well as the instruction of persons in the safe operation of the device. You are responsible for ensuring that unauthorised persons or animals cannot access the device. This also includes children and people with disabilities who are not able to accurately assess the potential hazards associated with handling the device.

You are considered an electrotechnical layperson, if you do not possess skills or have not received training in the field of electrical and electronic technology. This means that you won't be able to perform electrotechnical tasks associated with this device, which require the skills of a qualified electrician. As a layperson you are only permitted to carry out simple tasks. This includes, for example, the connection of electrical consumers or the performance of visual inspections for maintenance purposes.

Only a qualified electrician may perform electrotechnical tasks (e. g. repairs).

2.1.2 Qualified electrician

As a qualified electrician you have a recognised qualification in electrotechnical engineering. On account of this specialist knowledge, you are authorised to carry out the required electrotechnical tasks described in this manual.

2.2 Basic safety information

For your own safety, please carefully read and comply with the safety information.

- ▶ Carefully read and comply with the information provided in this manual prior to using the device.
- ▶ Children often cannot recognise hazards. Never leave children unattended in the vicinity of this device. Store the device out of the reach of children.
- ▶ Keep persons with restricted physical, sensory or mental capabilities and children who are not able to accurately assess the hazards associated with handling the device away from the device.
- ▶ Keep animals away from the device. Protective measures must be taken as needed.
- ▶ Persons under the influence of drugs, alcohol or other intoxicating substances must not use the device. This can result in serious injuries.
- ▶ Avoid tripping hazards associated with electric cables lying around, for example.
- ▶ Avoid kinking, pinching and driving over electric lines.
- ▶ Do not pull electric cables over sharp edges.
- ▶ Do not use adapter plugs in conjunction with the device.
- ▶ Keep the device away from heat sources.
- ▶ When the device is used, and particularly if it is used outdoors, only connect electrical consumers that are suitable and approved for the application.

- ▶ Do not place the device into water (e.g. puddle of water).
- ▶ Do not place the device on traffic routes.
- ▶ Do not use the supply line for carrying or suspending the device.
- ▶ Only grasp the plugs on the plug housing and do not pull on the cord to unplug the device from the socket.
- ▶ Only have a qualified electrician carry out repairs should this be required.
- ▶ Always use the ON / OFF switches of electrical consumers (e. g. circular saws) to switch these off, before connecting these to the device.



2.3 Intended use

The power distribution box is used solely for the distribution and control of electrical energy.

The power distribution box is intended for use in indoor and outdoor locations as a portable power distribution system.



The power distribution box is not intended for use as a stationary device (e. g. wall-mounted device) and must not be used as such.

The user is responsible for ensuring compliance with the intended use of the device and its safe operation.

MENNEKES Elektrotechnik GmbH & Co. KG accepts no liability for any consequences arising from improper use of the device.

Read this operating manual carefully before using the power distribution box and fully comply with all of the information given therein.

Keep this operating manual available at the device, and pass it on to the new user should the device change hands.

2.4 Improper use

Using the device is safe only when it is used as intended.

The following uses are not permitted:

Disregard of the manual

- ▶ Read the manual before using the device.
- ▶ Comply with the described procedure and sequence of work steps.
- ▶ Carry out only those tasks you are authorised to perform.

Using a damaged device

- ▶ Do not use a damaged device.
- ▶ Only have a qualified electrician repair the device.

Manipulation of the device

- ▶ Do not make changes or modifications to the device.
- ▶ Do not remove any parts of the device.

Use as a climbing aid

- ▶ Do not sit on the power distribution box or use it as a climbing aid.

Use of unsuitable cleaning agents

- ▶ Do not use aggressive cleaning agents or chemicals for cleaning because these may adversely affect and damage surfaces.

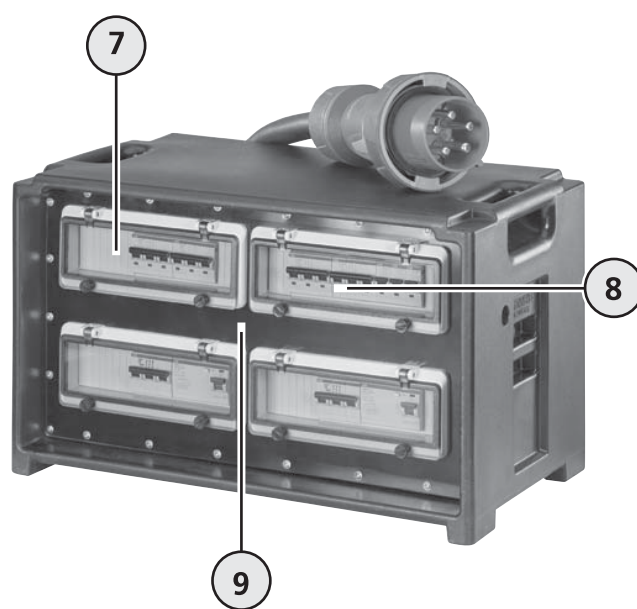
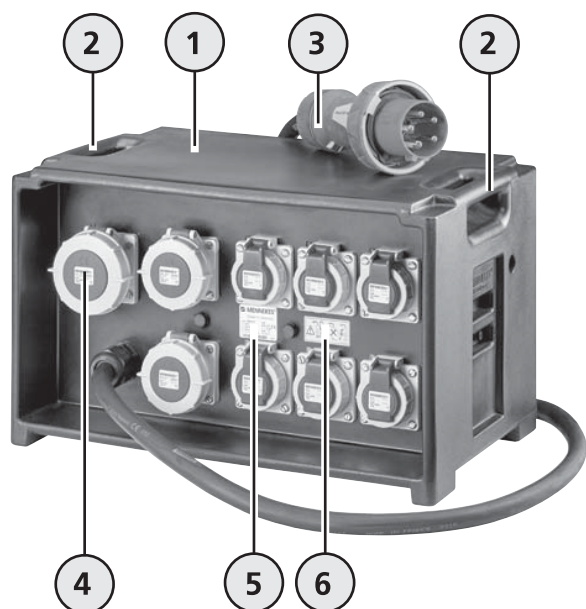
Use of unauthorised spare parts and accessories

- ▶ Use only spare parts and accessories that are manufactured and / or approved by MENNEKES.

Use under unsuitable ambient conditions

- ▶ Do not use the power distribution box in potentially-explosive atmospheres, where flammable liquids, gases or dust are present – risk of fire and explosion!
Connected power tools generate sparks that can ignite dust or fumes.

3. Product description



Portable power distribution box (example)

- 1 Plastic enclosure
- 2 Handles
- 3 Plug with supply line
- 4 Sockets with hinged lids
- 5 Nameplate
- 6 Sign
- 7 Inspection window
- 8 Protective elements
- 9 Front panel



The illustrations in this manual may not exactly correspond (in a visual sense) to the device due to device variants.



Sockets and protective elements are numbered (function identification) to facilitate their identification and assignment.

4. Technical data

4.1 Ambient temperatures for operation

Indoor and outdoor use		
min.	max.	mean value for 24-hour period
- 25 °C	+ 40 °C	not exceeding + 35 °C

4.2 Storage conditions

Storage temperature	
min.	max.
0 °C	+ 40 °C

4.3 Nameplate



Nameplate (example)

- | | |
|--------------------|-------------------------------|
| 1 Type designation | 6 Serial number |
| 2 Rated current | 7 Rated load factor |
| 3 Rated voltage | 8 Rated short-circuit current |
| 4 Frequency | 9 Protection class |
| 5 Back-up fuse | 10 Standard |

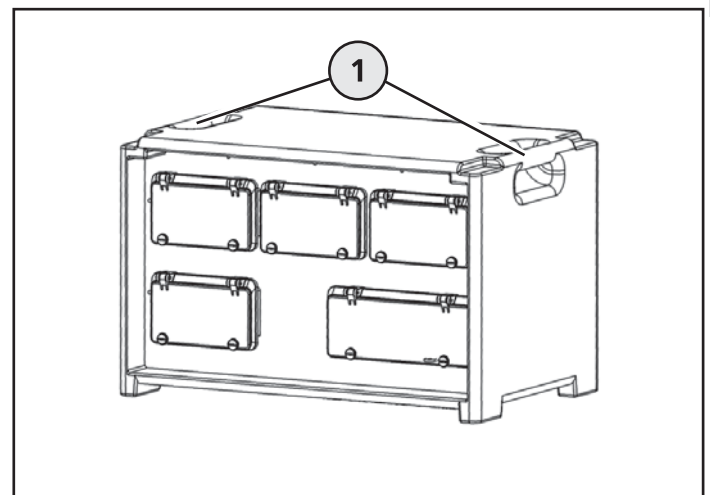
5. Prior to setting up

5.1 Transport of power distribution box

CAUTION

There is a risk of injury if the device falls

- ▶ Transport the power distribution box with the aid of a second person, if needed, or use appropriate means of transport.



Transport of power distribution box

The power distribution box has two handles for transport purposes.

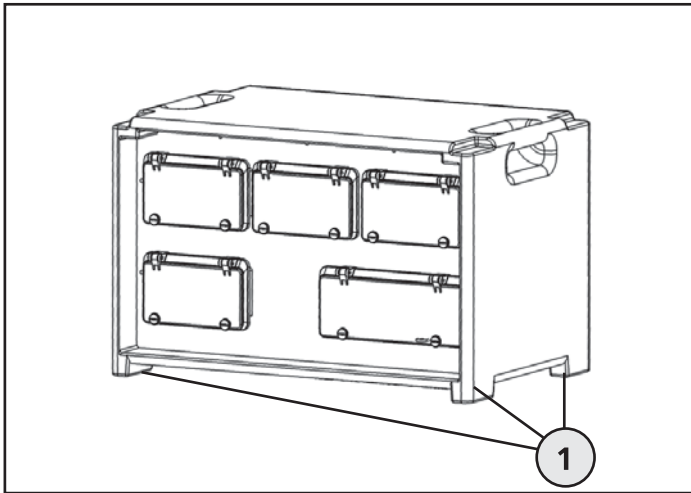
- ▶ Put the supply line with the plug on top of the device.
- ▶ Use the handles (1) to transport the power distribution box.
- ▶ Place the device on dry, solid ground.
- ▶ Place a maximum of three power distribution boxes on top of one another.
- ▶ Ensure that these are stable.



Do not use the handles as a means of suspension!

- ▶ Maintaining the operating position (→ Chapter 5.2).

5.2 Maintaining the operating position



Maintaining the operating position

The power distribution box has four housing feet. In order to maintain the operating position and to avoid damage to the device, the power distribution box must always sit on its housing feet.

- ▶ Ensure that the power distribution box is always placed on its housing feet (1) and particularly during operation.

5.3 Maintaining the protection class

All protective covers (e. g. hinged lids for sockets) must be closed and locked, where applicable, during operation to ensure that the protection class is maintained.

ATTENTION

Material damage due to unsuitable plugs and sockets

The combination of plugs and sockets with different protection classes can result in leakage.

- ▶ Only connect plugs and sockets with the same protection class.



ATTENTION - The use of plugs and sockets with different protection classes will reduce the effect of the protection class.

If, for example, an electrical consumer with an **IP 44** plug is connected to an **IP 67** socket of the power distribution box, then the effect of the protection class of the power distribution box is **reduced** to the **IP 44** class.

Consequence: Limited protective function.

Remedy:

- ▶ Check the plug of the electrical consumer to be connected for suitability regarding its shape, design and protection class beforehand.
- ▶ Only connect consumers with suitable plugs of the same protection class.

5.4 Switching on protective elements



Switching on protective elements

Protective elements must be switched on, before a consumer is connected to the power distribution box.

- ▶ Open the inspection window.

- ▶ Set toggle (1) of the protective elements to the "I" (ON) position, or to the green display (2) (dependent on the protective element).
- ▶ Close the inspection window.

5.5 Check power distribution box for defects prior to use

The power distribution box should be checked for defects before each use. A qualified electrician must eliminate any defects before use.

What kind of defects can occur?

- Defective enclosure (e. g. major deformations, cracks, breaks).
- Defective or missing components (e. g. sockets, hinged lids for sockets, inspection window).
- Defective electrical lines (e. g. kinks, cuts, pinched points).
- Defective or missing protective elements.

What should you pay attention to before use?

- ▶ Check the power distribution box for defective or missing components and replace these as needed.
- ▶ Replace defective seals (e. g. at sockets, plugs, inspection window, etc.).
- ▶ Clean soiled components, especially contact parts.
- ▶ If there are scorch marks on contact parts (e. g. welding beads), have a qualified electrician replace the affected plugs and sockets.
- ▶ Only put fault-free power distribution boxes into service.

5.6 Earthing of power distribution box (optional)



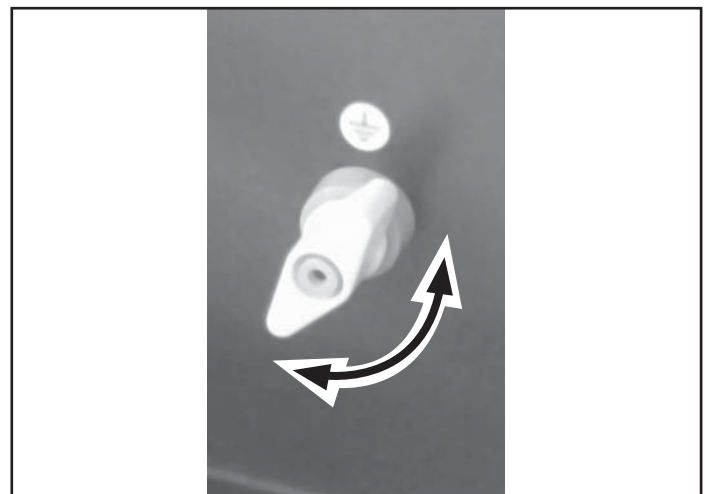
The power distribution box must be properly earthed before it is put into service and with due consideration of the standards DIN VDE 0100-410 and DIN VDE 0100-540.

Additional earthing via optional ground terminals can be required, dependent on the mains type.

Do not connect any electrical consumers to the power distribution box, unless it is properly earthed.

EN

Connecting the earthing wire



Ground terminal

The power distribution box can be equipped with an optional ground terminal for the additional connection of an earthing wire.

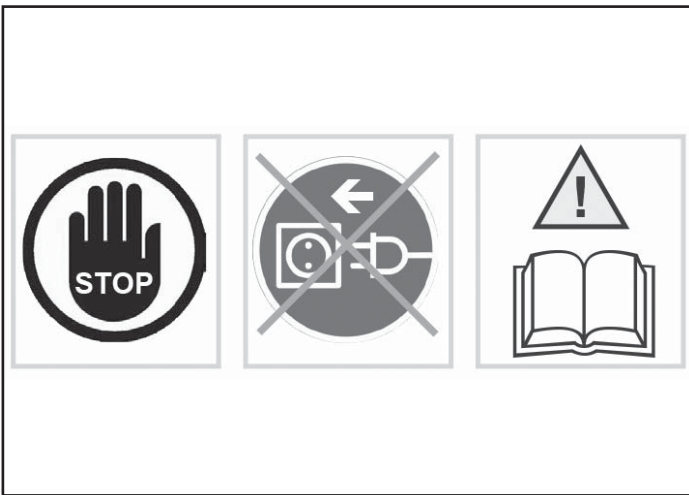
- ▶ Loosen the ground terminal by rotating it to the left-hand side.
- ▶ Connect the earthing wire.
- ▶ Fasten the earthing wire by rotating the ground terminal to the right-hand side.
- ▶ Check the earthing wire for tight fit.

5.7 Power distribution box with residual current device

Power distribution boxes equipped with an AC/DC sensitive residual current device (FI/RCD) type **B/B+**, must only be connected to and operated with electrical installations that have a suitable back-up fuse.

Devices with such a circuit breaker are suitable for operation with frequency-controlled consumers (e. g. welding systems, compactors).

These power distribution boxes have the following sticker:



Sticker

- ▶ Connect a power distribution box with the shown sticker only to electrical installations that have a suitable back-up fuse.

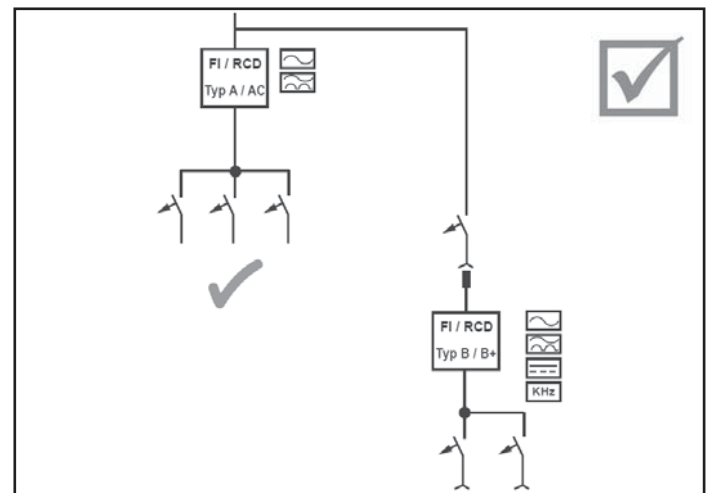
WARNING

Incorrect installation / Unsuitable back-up fuse – Risk of injury due electric shock

A residual current device (FI/RCD) of type AC/A of a given electrical installation can, in the event of a fault, become inoperative due to an impermissible switching sequence, if this device is connected to a power distribution box with a residual current device (FI/RCD) of type B/B+. The protective function of the circuit breaker is thus no longer given.

- ▶ Connect a power distribution box with a residual current device (FI/RCD) of type B/B+ only **upstream** of the residual current device (FI/RCD) of type AC/A of an electrical installation.
- ▶ If you are uncertain, have a qualified electrician check the electrical installation for suitability.

5.7.1 Correct installation

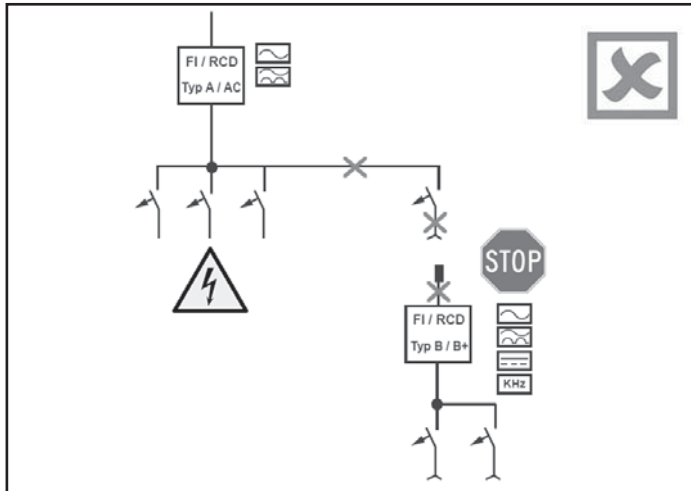


Installation diagram

The example shows that the residual current device (FI/RCD) of type B/B+ is connected **upstream** of the residual current device (FI/RCD) of type A/AC.

- ✓ Correct installation

5.7.2 Incorrect installation



Installation diagram

The example shows that the residual current device (FI/RCD) of type B/B+ is connected **downstream** of the residual current device (FI/RCD) of type A/AC.

✓ **Incorrect** installation



There is a risk that the residual current device (FI/RCD) of type AC/A will fail to trigger with this switching sequence.



If the residual current device (RCD) has been tripped, all residual current circuit breakers in the electric circuit of the electrical installation and the circuit breakers of the used feed point must be checked for correct functioning and effectiveness by a qualified electrician in accordance with DIN VDE 0100-600 (VDE 0100-600).

6. Setting-up process

6.1 Putting the power distribution box into service

Prior to putting the power distribution box into service, check whether the connection data of the power distribution box matches the local mains data.

The power distribution box must only be operated if the connection data matches the mains data (→ Chapter 4).



WARNING

Damaged power distribution box – Risk of injury due to electric shock

- ▶ Do not use the power distribution box if it is damaged.
- ▶ Mark the possibly damaged device, so that no other person will continue to use it.
- ▶ Have a qualified electrician rectify the damage without undue delay.



WARNING

Unsuitable or missing fuse – Risk of injury due to electric shock

- ▶ Only use the power distribution box outdoors if the device or the supplying socket is fused via a suitable residual current circuit breaker.
- ▶ In case of doubt, consult a qualified electrician.

6.1.1 Connecting the power distribution box

- ▶ Connect the plug to the supplying socket of the voltage supply system.

6.1.2 Connecting consumers

⚠ WARNING

Unintentional startup of connected electrical consumers – Risk of injury

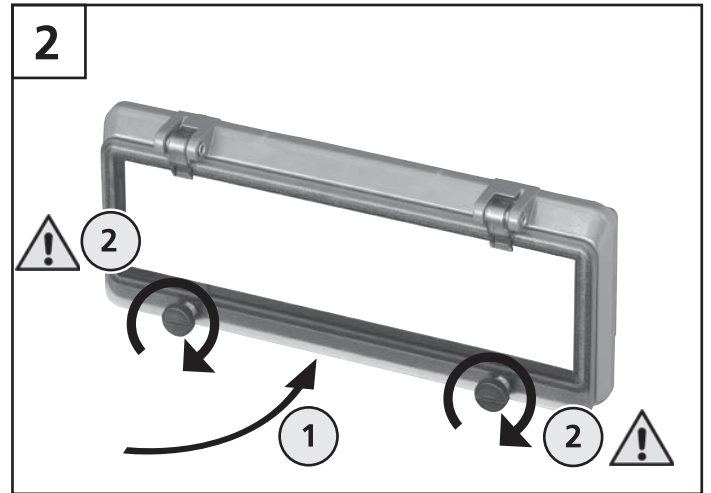
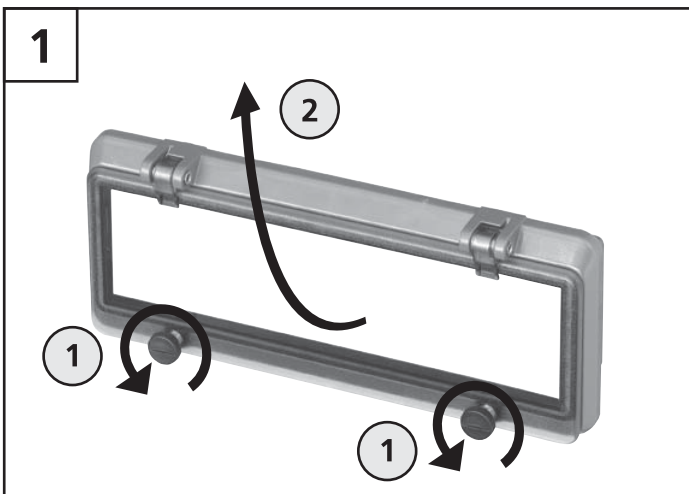
- ▶ Always use the ON / OFF switches of electrical consumers to switch these **off**, before connecting these to the power distribution box.

- ▶ Connecting consumers (→ Chapter 7.2).

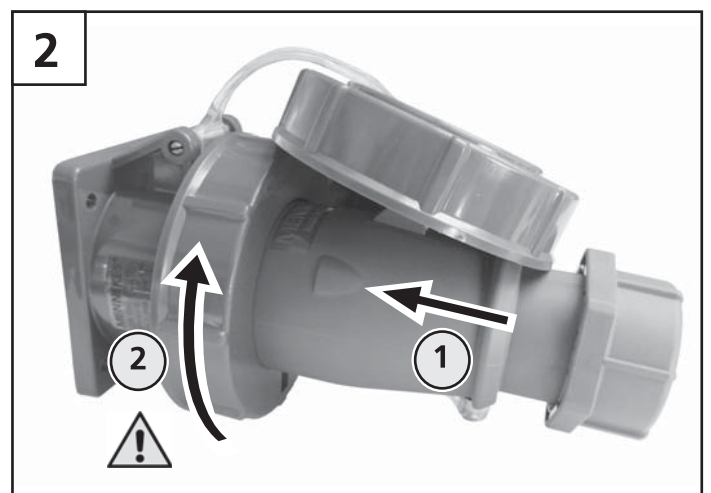
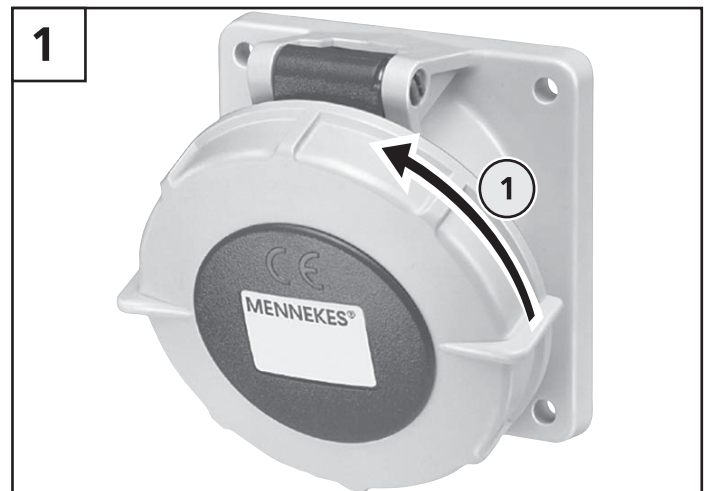
7. Operation

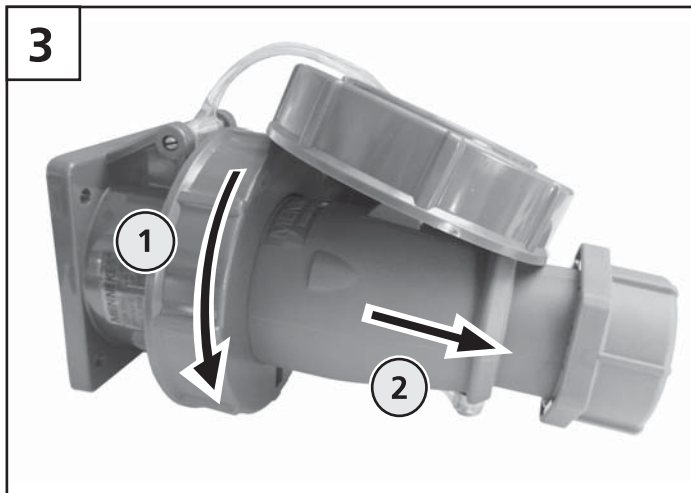
The following illustrations are provided as an example and may differ from the actual device.

7.1 Opening / Closing the inspection window



7.2 Connecting/Removing electrical consumers





8.2 Removing the earthing wire

- ▶ Loosen the ground terminal by rotating it to the left-hand side.
- ▶ Remove the earthing wire.

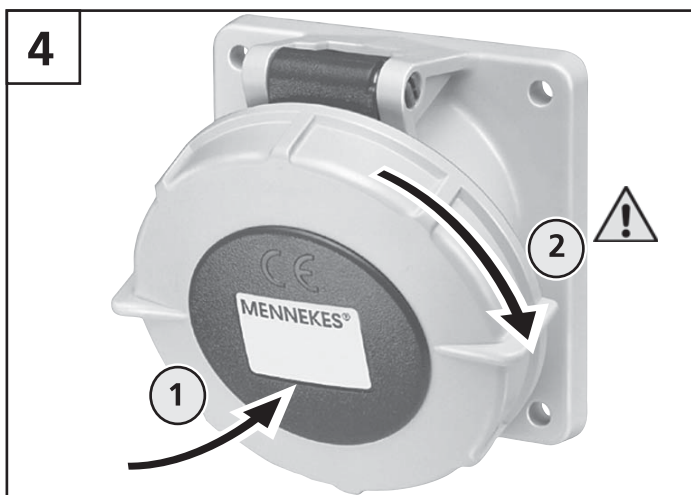
9. Cleaning

EN

The power distribution box can be cleaned with a dry or a damp cloth.

However, cleaning with a dry cloth at regular intervals is recommended in order to prevent persistent soiling on the surfaces.

Never use compressed air for cleaning purposes, because inhalation of whirled up dust and dirt can have harmful health effects.



8. Taking out of service

8.1 Taking the power distribution box out of service

- ▶ Disconnect the plug from the supply line.
- ▶ Disconnect connected electrical consumers (→ Chapter 7.2).
- ▶ Close hinged lids for sockets, the inspection window and any other covers.
- ▶ Roll up the supply line and place it on the power distribution box.
- ▶ If power distribution boxes are stacked on top of one another, roll up the supply lines and fasten these at the sides, at the handles with cable ties, for example.

9.1 Cleaning with a dry cloth

WARNING

Contact with live parts – Life-threatening danger due to electric shock

- ▶ Take the power distribution box out of service before cleaning it with a dry cloth.
- ▶ Disconnect the plug of the supply line.
- ▶ Close all protective devices (e. g. inspection window, hinged lids for sockets).
- ▶ Only clean the power distribution box from the outside.

For dry cleaning, a brush with soft bristles and a clean cleaning cloth, suitable for plastic surfaces can be used.

Procedure:

- ▶ Remove any existing dust and soil with a brush first.
- ▶ Use a clean, dry cleaning cloth to wipe off the power distribution box.

9.2 Cleaning with a damp cloth

Remove any existing dust and soil with a brush with soft bristles first.

For wet cleaning, we recommend using clean water, without any cleaning agents, and a clean cleaning cloth, suitable for plastic surfaces.

WARNING

Contact with live parts – Life-threatening danger due to electric shock

- ▶ Take the power distribution box out of service before cleaning it with a damp cloth.
- ▶ Disconnect the plug of the supply line.
- ▶ Close all protective devices (e. g. inspection window, hinged lids for sockets).
- ▶ Only clean the power distribution box from the outside.

ATTENTION

Material damage of the device due to incorrect cleaning

- ▶ Close all protective devices.
- ▶ Only clean the power distribution box from the outside.
- ▶ Do not use running water and ensure that water cannot reach live parts.
- ▶ Do not use compressed air or high-pressure cleaning devices.
- ▶ Do not use aggressive cleaning agents or chemicals.
- ▶ Check with MENNEKES whether cleaning agents are approved, if necessary.

Procedure:

- ▶ Remove any existing dust and soil with a brush first.
- ▶ Use water to moisten the clean cloth and thoroughly wipe off the power distribution box.
- ▶ Then use a clean cleaning cloth to wipe the device dry.

10. Maintenance and repair

10.1 Maintenance in the case of domestic use

For long-lasting and safe operation we recommend that you have a qualified electrician inspect the device for proper condition at regular intervals.

10.2 Maintenance in the case of industrial use

When using the device in an industrial environment, the operator / user of the device must have a qualified electrician check the device for proper condition at regular intervals.

10.3 Maintenance tasks

The performance of regular inspection and maintenance tasks supports trouble-free and safe operation of the device and contributes to increasing its service life. Thus any fault sources can be detected early on and hazards can be avoided. We recommend that you visually inspect the device for external damage (e.g. material alterations, missing components, etc.) and its proper functioning (e.g. protective elements) regularly.

If defects are detected on the device they must be rectified without delay. A damaged, faulty device must not be used because the risk of electric shock or material damage can increase.

WARNING

Contact with live parts – Life-threatening danger due to electric shock

- ▶ Take the power distribution box out of service for maintenance tasks.
- ▶ Disconnect the plug of the supply line.



Simple maintenance tasks (e. g. visual inspection for damage) can be carried out by laypersons. If you are unsure, have a qualified electrician execute the tasks.

EN

What kind of defects can occur?

- Defective enclosure (e. g. major deformations, cracks, breaks).
- Defective or missing components (e. g. sockets, hinged lids for sockets, inspection window).
- Defective seals (e. g. inspection window, sockets).
- Defective electrical lines (e. g. kinks, cuts, pinched points).
- Defective or missing protective elements.
- Illegible or missing signs (→ Chapter 3).

What should you pay attention to before use?

- ▶ Check the power distribution box for defective or missing components (e. g. sockets, plugs, inspection window, etc.) and replace these as needed.
- ▶ Clean soiled components, especially contact parts and seals at sockets and plugs.
- ▶ If there are scorch marks (welding beads) on contact parts, have a qualified electrician replace the affected plugs and sockets.

10.3.1 Maintenance tasks performed by the user (electrotechnical layperson)

Check power distribution box for defects

DANGER

Risk of sustaining injury due to electric shock

Danger of severe or fatal injury when contact is made with live components.

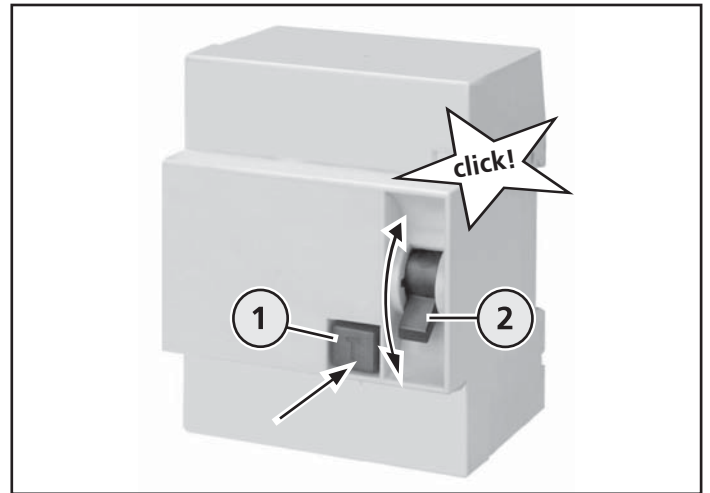
- ▶ Disconnect the device from the voltage supply.

Check the power distribution box for exterior damage. If defects are detected on the device they must be rectified before use by a qualified electrician.

Checking residual current devices (FI/RCDs)

Residual current devices (FI/RCDs) can vary in terms of appearance and operation.

They are usually checked by pressing a test button whereby the residual current circuit breaker is triggered.



Checking residual current devices (FI/RCDs)

- ▶ Connect the power distribution box to the voltage supply.
- ▶ Press the test button (T) (1).

The circuit breaker is tripped and the toggle (2) is switched (**click!**).

- ▶ Return the toggle (2) to its initial position.
- ▶ If any faults occur during the checking process, contact a qualified electrician.

Cleaning of the power distribution box

- ▶ Regularly clean the power distribution box in order to prevent persistent soiling on its surfaces (→ Chapter 9).

10.3.2 Maintenance tasks performed by a qualified electrician



The tasks described below may only be carried out by a qualified electrician.

⚠ DANGER

Risk of sustaining injury due to electric shock

Danger of severe or fatal injury when contact is made with live components.

- ▶ Disconnect the device from the voltage supply.

Tasks to be performed

- ▶ Check the device for defects.
- ▶ Properly rectify any defects or damage.
- ▶ For repairs only use original spare parts from MENNEKES.
- ▶ Check the device for correct functioning.

If re-commissioning the device is not likely due to defects, and with regard to further safe use, the device must no longer be put into service.

Performing voltage tests

When voltage tests are carried out on electrical installations equipped with AC/DC sensitive residual current devices (FI/RCDs) of type B/B+, these could sustain damage due to incorrectly performed tests.

⚠ ATTENTION

Material damage of protective element due to incorrectly performed test

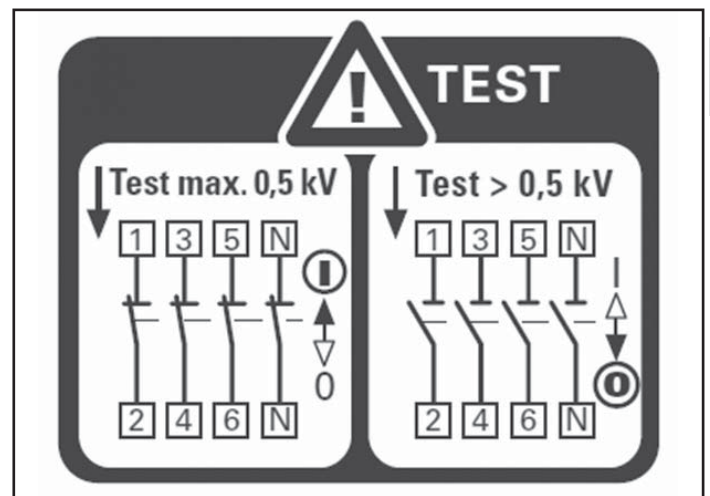
Incorrectly performed tests can damage protective elements.

- ▶ In the case of voltage tests with test voltages > **0.5 kV**, switch off the **residual current devices (FI/RCDs)** and the **upstream and/or downstream circuit breakers**.



Observe the circuit diagram.

- ▶ Observe the circuit diagram for the power distribution box for voltage testing.
- 📄 See additional documentation for circuit diagram



Voltage test

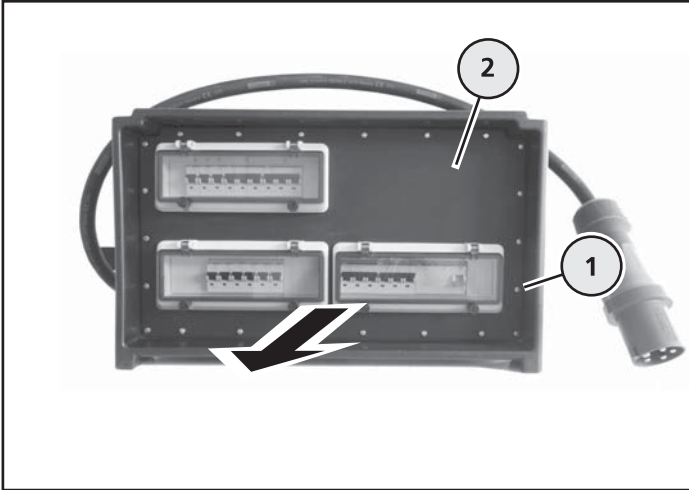
10.4 Dismantling tasks for repair purposes



The tasks described below may only be carried out by a qualified electrician.

- ▶ Take the power distribution box out of service (→ Chapter 8).

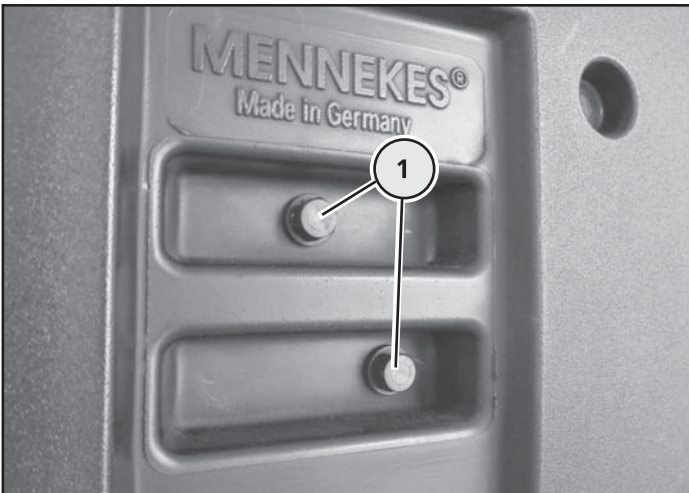
10.4.1 Removing the front panel



Removing the front panel

- ▶ Use a suitable tool to unscrew the screws (1) of the front panel (2) and remove the front panel.

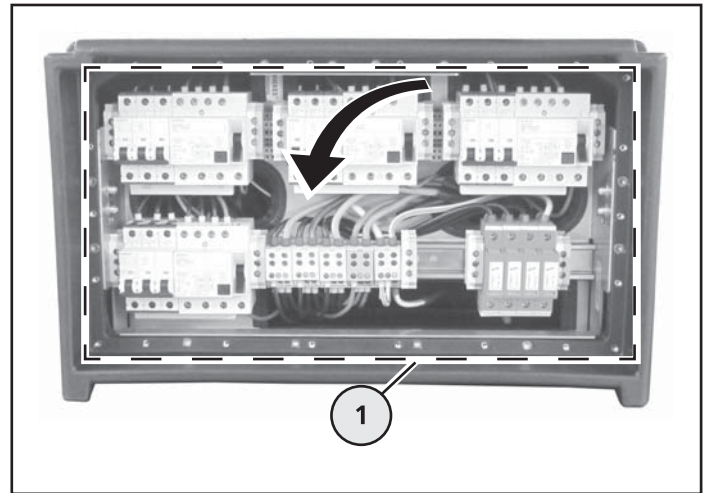
10.4.2 Removing the device carrier



Loosening the device carrier

The enclosure has a total of twelve screws that need to be loosened (socket side, underside, sides).

- ▶ Use a suitable tool to unscrew the screws (1) on the exterior of the enclosure.



Removing the device carrier

- ▶ Loosen the strain relief of the screwed cable gland of the supply line at the rear of the device.
- ▶ Pull the device carrier (1) with all of the fitted components out of the enclosure, towards the front.
- ▶ Adjust the supply line at the rear of the device by hand as needed.

10.4.3 Removing sockets

- ▶ Loosen the supply leads of the relevant flanged socket at the protective element, or at the socket.
- ▶ Loosen the fastening screws of the flanged socket.
- ▶ Remove the flanged socket.

10.5 Installation tasks in the case of repairs

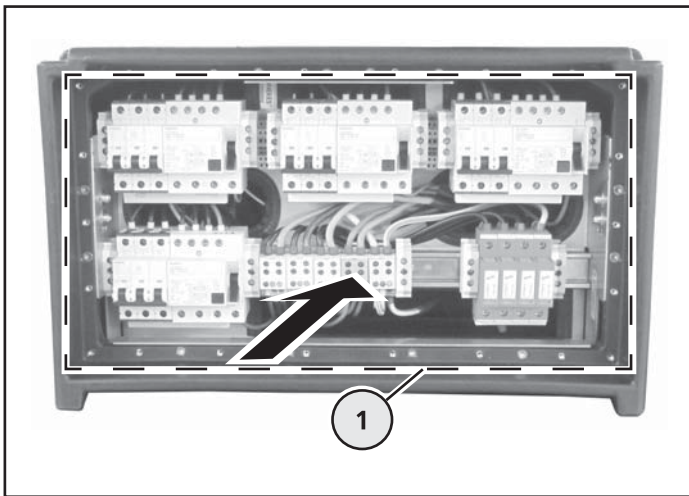


The tasks described below may only be carried out by a qualified electrician.

10.5.1 Fitting sockets

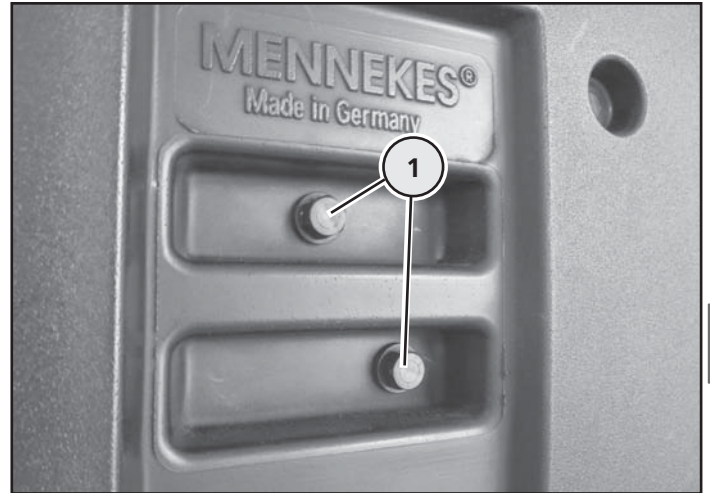
- ▶ Fit the flanged socket into the front panel and fasten it with four screws.
- ▶ Connect the supply leads to the relevant residual current circuit breaker or the socket and check for tight fit.

10.5.2 Fitting the device carrier



Fitting the device carrier

- ▶ Fit the device carrier (1) into the enclosure.
- ▶ All the while, carefully pulling out the supply line at the rear of the device.
- ▶ Once the device carrier is completely seated in the enclosure, fasten the strain relief for the supply line.



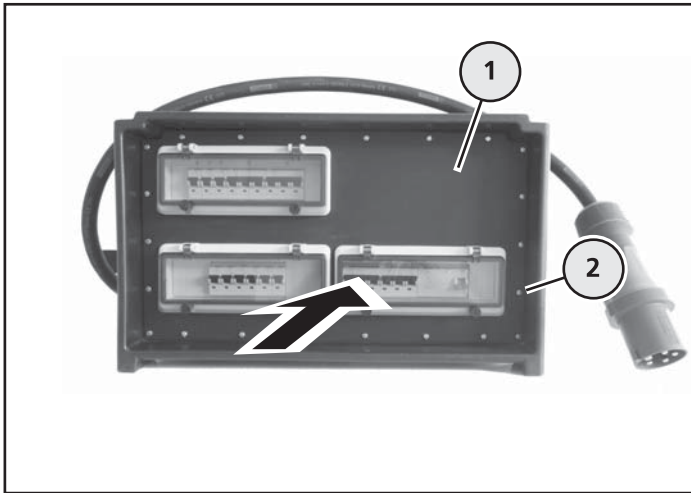
Securing the device carrier

The enclosure has a total of twelve screws that need to be fitted (socket side, underside, sides).

- ▶ Screw the screws (1) into the enclosure and thus secure the device carrier located inside.
- ▶ Use a suitable tool.
- ▶ Check all conductor connections and pre-wired components in the power distribution box for firm seat.
- ▶ Tighten loose threaded connections.

11. Faults

10.5.3 Fitting the front panel



Fitting the front panel



A seal is located at the rear of the front panel. This seal cannot be replaced. If the seal is damaged, the front panel has to be replaced.

- ▶ Fit the front panel (1) and use screws (2) to tighten.

11.1 Remedy

Course of action when circuit breakers or residual current device (FI/RCDs) have been tripped



Possible causes that lead to the tripping of a circuit breaker can involve, for example, residual current or an overloaded electrical circuit.

Situation A): A circuit breaker is triggered.

Course of action:

- ▶ Visually inspect the power distribution box and the connected electrical consumers for exterior damage.
- ✓ YES - there is an apparent defect with the power distribution box or a connected electrical consumer.

Course of action:

- ▶ Take the affected consumer out of service.
- or
- ▶ Take the power distribution box out of service.
- ▶ Charge a qualified electrician with inspection and repair.
- ✓ NO - there is no apparent defect.
- ▶ Disconnect the consumer of the tripped circuit from the power distribution box.
- ▶ Switch on the tripped circuit breaker again.

12. Storage and disposal

Situation B): A circuit breaker is triggered again.

Course of action:

- ▶ Take the power distribution box out of service.
- ▶ Charge a qualified electrician with inspection and repair.

Situation C): Circuit breakers remain switched on.

Course of action:

- ▶ Re-connect the disconnected consumer.

Situation: A circuit breaker is triggered again.

- ✓ Defective consumer.

Course of action:

- ▶ Take the affected consumer out of service.

12.1 Storing the device

Proper storage of the device serves to maintain the correct functioning of the device. It can also have a positive impact on the service life of the device.

- ▶ Clean the device before placing it into storage (→ Chapter 9.).
- ▶ Close hinged lids for sockets, the inspection window and any other covers.
- ▶ Roll up the supply line and place it on the power distribution box. If power distribution boxes are stacked, then fasten the supply lines at the sides, at the handles, as needed.
- ▶ Store the device in its original packaging or with the aid of suitable packaging in a clean and dry place.
- ▶ A maximum of three devices can be stacked on top of one another.
- ▶ Observe storage conditions (→ Chapter 4.2)

12.2 Disposal

When the device reaches the end of its useful life, it and its packaging must be properly disposed of.

Old devices and batteries must not be disposed of with household waste.



Plugs for the world

MENNEKES

Elektrotechnik GmbH & Co. KG

Industrial plugs and sockets

Aloys-Mennekes-Str. 1

57399 Kirchhundem

GERMANY

Tel. +49 (0) 2723 / 41-1

Fax +49 (0) 2723 / 41-2 14

E-Mail info@MENNEKES.de

Internet www.MENNEKES.de