

Panel mounted receptacle Cepex, SCHUKO

Part number: 4580



MENNEKES
Elektrotechnik GmbH & Co. KG

Aloys-Mennekes-Straße 1
57399 Kirchhundem
GERMANY

www.MENNEKES.org

Product Description

- screw connection technology
- German standard
- 3 screw terminals as connecting terminals for 1,5 - 2,5 mm²
- with labeling field
- also suitable for installation in cable ducts and power posts

Technical Details

Panel mounted receptacle Cepex, SCHUKO	4580
Product serie	Cepex, SCHUKO
Ampere	16A
Number of poles	2p+PE
Nominal voltage AC	230V
Protection type IP	IP54
Contact carrier	standard
X-CONTACT	no
Connection	screw terminals
Contact screw drive	PZ2, slot
Pilot contact	without pilot contact
Pilot contact switch	no
Insertion direction	straight
Highly resistant to chemicals	no
Military version	no
Lockable	no
Labeling field	yes
Tightening torque connection terminal	0.8 Nm
Strip length flexible conductor	8 - 10 mm
Strip length solid conductor	8 - 10 mm
Conductor cross-section min.	1.5 mm ²
Conductor cross-section max.	2.5 mm ²
Weight (net)	171 g
Packaging unit	8 pcs
Quantity per pallet	720 pcs

Panel mounted receptacle Cepex, SCHUKO	4580
EAN / identification number	4015394315384

Permissible ambient conditions

	Min.	Max.
Permissible ambient temperature	-5 °C	40 °C
Average temperature over 24 hours		35 °C

Material properties

Housing	PC/ASA pure white [similar RAL 9010]
Hinged lid	PC/ASA pure white [similar RAL 9010]

Material resistance

The material resistance overview can be found on the website in the section “Knowledge” - “Product knowledge” - “Materials”.

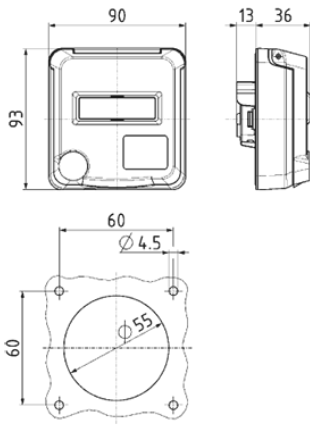
Material and environmental properties

RoHS 2011/65/EU incl. 2015/863/EU	✓
POP regulation (EU) 2019/1021	✓
Halogen-free	yes

Regulations and Standards

Norm	DIN VDE 0620-2-1
Declaration of Conformity	CE

Dimensional Drawing



Drawing
1 MB 754
Dim. in mm