

# Panel mounted receptacle Cepex, SCHUKO

Part number: 4579



**MENNEKES**  
Elektrotechnik GmbH & Co. KG

Aloys-Mennekes-Straße 1  
57399 Kirchhundem  
GERMANY

[www.MENNEKES.org](http://www.MENNEKES.org)

## Product Description

- screw connection technology
- German standard
- 3 screw terminals as connecting terminals for 1,5 - 2,5 mm<sup>2</sup>
- also suitable for installation in cable ducts and power posts

## Technical Details

| Panel mounted receptacle Cepex, SCHUKO | 4579                  |
|----------------------------------------|-----------------------|
| Product serie                          | Cepex, SCHUKO         |
| Ampere                                 | 16A                   |
| Number of poles                        | 2p+PE                 |
| Nominal voltage AC                     | 230V                  |
| Protection type IP                     | IP54                  |
| Contact carrier                        | standard              |
| X-CONTACT                              | no                    |
| Connection                             | screw terminals       |
| Contact screw drive                    | PZ2, slot             |
| Pilot contact                          | without pilot contact |
| Pilot contact switch                   | no                    |
| Insertion direction                    | straight              |
| Highly resistant to chemicals          | no                    |
| Military version                       | no                    |
| Lockable                               | no                    |
| Labeling field                         | no                    |
| Tightening torque connection terminal  | 0.8 Nm                |
| Strip length flexible conductor        | 8 - 10 mm             |
| Strip length solid conductor           | 8 - 10 mm             |
| Conductor cross-section min.           | 1.5 mm <sup>2</sup>   |
| Conductor cross-section max.           | 2.5 mm <sup>2</sup>   |
| Weight (net)                           | 169 g                 |
| Packaging unit                         | 8 pcs                 |
| Quantity per pallet                    | 720 pcs               |

|                                        |               |
|----------------------------------------|---------------|
| Panel mounted receptacle Cepex, SCHUKO | 4579          |
| EAN / identification number            | 4015394315391 |

Permissible ambient conditions

|                                   | Min.  | Max.  |
|-----------------------------------|-------|-------|
| Permissible ambient temperature   | -5 °C | 40 °C |
| Average temperature over 24 hours |       | 35 °C |

Material properties

|            |                                      |
|------------|--------------------------------------|
| Housing    | PC/ASA pure white [similar RAL 9010] |
| Hinged lid | PC/ASA pure white [similar RAL 9010] |

Material resistance

The material resistance overview can be found on the website in the section “Knowledge” - “Product knowledge” - “Materials”.

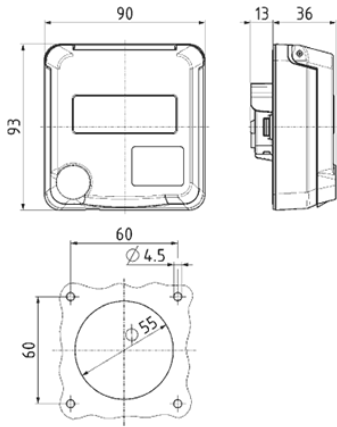
Material and environmental properties

|                                   |     |
|-----------------------------------|-----|
| RoHS 2011/65/EU incl. 2015/863/EU | ✓   |
| POP regulation (EU) 2019/1021     | ✓   |
| Halogen-free                      | yes |

Regulations and Standards

|                           |                  |
|---------------------------|------------------|
| Norm                      | DIN VDE 0620-2-1 |
| Declaration of Conformity | CE               |

# Dimensional Drawing



Drawing  
1 MB 753  
Dim. in mm