

Panel mounted receptacle

Part number: 1404



MENNEKES
Elektrotechnik GmbH & Co. KG

Aloys-Mennekes-Straße 1
57399 Kirchhundem
GERMANY

www.MENNEKES.org

Product Description

- screwless, with insulation displacement technology TwinCONTACT
- straight insertion direction
- suitable for through wiring

Technical Details

Panel mounted receptacle	1404
Ampere	16A
Number of poles	4p
Clock position	10h
Nominal voltage AC	50 - 500V
Nominal frequency	100 - 300 Hz
Protection type IP	IP44
Contact carrier	standard
X-CONTACT	no
Connection	insulation displacement technology - TwinCONTACT
Pilot contact	without pilot contact
Pilot contact switch	no
Flange dimensions	72 x 65 mm
Hole spacings	52 x 52 mm
Insertion direction	straight
Highly resistant to chemicals	no
Military version	no
Tightening torque connection terminal	0.8 Nm
Strip length flexible conductor	12 mm
Strip length solid conductor	12 mm
Conductor cross-section min.	1.5 mm ²
Conductor cross-section max.	4 mm ²
Weight (net)	120 g
Packaging unit	10 pcs
Quantity per pallet	1520 pcs

Panel mounted receptacle	1404
EAN / identification number	4015394221722

Permissible ambient conditions		
	Min.	Max.
Permissible ambient temperature	-25 °C	40 °C
Average temperature over 24 hours		35 °C

Material properties	
Housing	PA6 light grey [similar RAL 7035]
Hinged lid	PA6 green [similar RAL 6010]

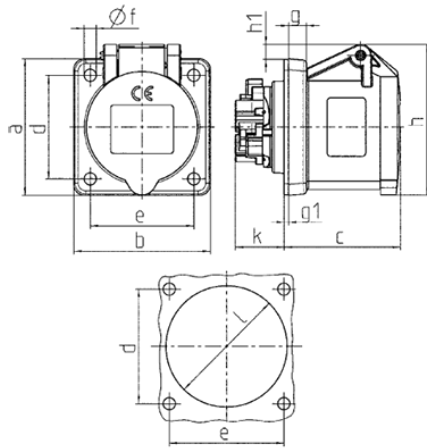
Material resistance

The material resistance overview can be found on the website in the section “Knowledge” - “Product knowledge” - “Materials”.

Material and environmental properties	
RoHS 2011/65/EU incl. 2015/863/EU	✓
POP regulation (EU) 2019/1021	✓
Halogen-free	no

Regulations and Standards	
Norm	DIN EN IEC 60309-2
Declaration of Conformity	CE
Test label	EAC

Dimensional Drawing



Drawing 1 MB 649	Amp. Poles	16		
		3	4	5
Dim. in mm	a	62	72	72
	b	62	65	65
	c	54	54	54
	d	47	52	52
	e	47	52	52
	f	5.5	5.5	5.5
	g	8	8	8
	g1	2	2	2
	h	68	77	85
	h1	7	7	11
	k	23	23	23
l	50	52	57	
Terminal for cond. cross section (mm ²) min.-max.		1.5	1.5	1.5
		—4	—4	—4