

# Panel mounted receptacle Cepex

Part number: 4875



**MENNEKES**  
Elektrotechnik GmbH & Co. KG

Aloys-Mennekes-Straße 1  
57399 Kirchhundem  
GERMANY

[www.MENNEKES.org](http://www.MENNEKES.org)

## Product Description

- screw connection technology
- with labeling field
- with safety lock, two keys
- also available with identical lock
- cannot be dismantled when locked

## Technical Details

Panel mounted receptacle Cepex	4875
Product serie	Cepex
Ampere	16A
Number of poles	5p
Clock position	6h
Nominal voltage AC	400V
Nominal frequency	50 - 60 Hz
Protection type IP	IP54
Contact carrier	standard
X-CONTACT	no
Connection	screw terminals
Contact screw drive	PZ2, slot
Pilot contact	without pilot contact
Pilot contact switch	no
Insertion direction	straight
Highly resistant to chemicals	no
Military version	no
Lockable	yes
Identical lock	no
Labeling field	yes
Tightening torque connection terminal	1.2 Nm
Strip length flexible conductor	8 - 10 mm
Strip length solid conductor	8 - 10 mm
Conductor cross-section min.	1.5 mm <sup>2</sup>
Conductor cross-section max.	4 mm <sup>2</sup>

Panel mounted receptacle Cepex	4875
Weight (net)	263 g
Packaging unit	8 pcs
Quantity per pallet	720 pcs
EAN / identification number	4015394314899

Permissible ambient conditions

	Min.	Max.
Permanent ambient temperature	-25 °C	40 °C
Average temperature over 24 hours		35 °C

Material properties

Housing	PC/ASA pearl white [similar RAL 1013]
Hinged lid	PC/ASA pearl white [similar RAL 1013]

Material resistance

The material resistance overview can be found on the website in the section “Knowledge” - “Product knowledge” - “Materials”.

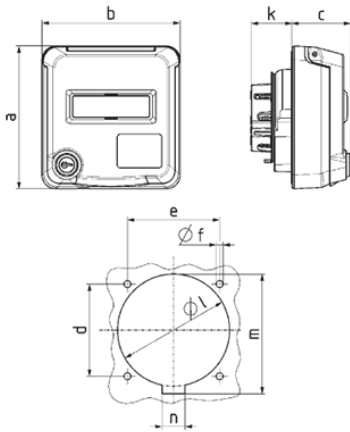
Material and environmental properties

RoHS 2011/65/EU incl. 2015/863/EU	✓
POP regulation (EU) 2019/1021	✓

Regulations and Standards

Norm	DIN EN IEC 60309-2
Declaration of Conformity	CE

# Dimensional Drawing



Drawing 1 MB 752	Amp. Poles	16		32
		3	5	5
Dim. in mm	a	93	93	93
	b	90	90	90
	c	39	39	39
	d	60	60	60
	e	60	60	60
	f	4.5	4.5	4.5
	k	26	27	43
	l	68	73	73
	m	-	-	78
	n	-	-	15
Terminal for cond. cross section (mm <sup>2</sup> ) min.-max.		1.5	1.5	2.5
		-4	-4	-6