

Panel mounted receptacle Cepex

Part number: 4411



MENNEKES
Elektrotechnik GmbH & Co. KG

Aloys-Mennekes-Straße 1
57399 Kirchhundem
GERMANY

www.MENNEKES.org

Product Description

- screw connection technology

Technical Details

| Panel mounted receptacle Cepex | 4411 |
|---------------------------------------|-----------------------|
| Product serie | Cepex |
| Ampere | 16A |
| Number of poles | 5p |
| Clock position | 6h |
| Nominal voltage AC | 400V |
| Nominal frequency | 50 - 60 Hz |
| Protection type IP | IP54 |
| Contact carrier | standard |
| X-CONTACT | no |
| Connection | screw terminals |
| Contact screw drive | PZ2, slot |
| Pilot contact | without pilot contact |
| Pilot contact switch | no |
| Insertion direction | straight |
| Highly resistant to chemicals | no |
| Military version | no |
| Lockable | no |
| Labeling field | no |
| Tightening torque connection terminal | 1.2 Nm |
| Strip length flexible conductor | 8 - 10 mm |
| Strip length solid conductor | 8 - 10 mm |
| Conductor cross-section min. | 1.5 mm ² |
| Conductor cross-section max. | 4 mm ² |
| Weight (net) | 216 g |
| Packaging unit | 8 pcs |
| Quantity per pallet | 720 pcs |

| | |
|--------------------------------|---------------|
| Panel mounted receptacle Cepex | 4411 |
| EAN / identification number | 4015394315759 |

| Permissible ambient conditions | | |
|-----------------------------------|--------|-------|
| | Min. | Max. |
| Permanent ambient temperature | -25 °C | 40 °C |
| Average temperature over 24 hours | | 35 °C |

| Material properties | |
|---------------------|--------------------------------------|
| Housing | PC/ASA light grey [similar RAL 7035] |
| Hinged lid | PC/ASA light grey [similar RAL 7035] |

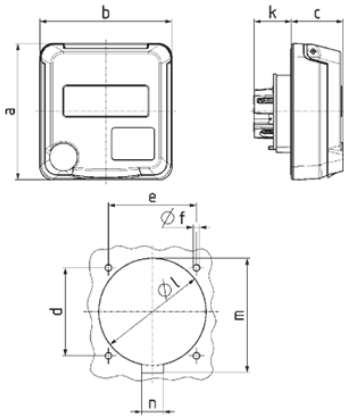
Material resistance

The material resistance overview can be found on the website in the section “Knowledge” - “Product knowledge” - “Materials”.

| Material and environmental properties | |
|---------------------------------------|---|
| RoHS 2011/65/EU incl. 2015/863/EU | ✓ |
| POP regulation (EU) 2019/1021 | ✓ |

| Regulations and Standards | |
|---------------------------|--------------------|
| Norm | DIN EN IEC 60309-2 |
| Declaration of Conformity | CE |

Dimensional Drawing



| Drawing 1 MB 750 | Amp. Poles | 16 | | | 32 | | |
|--|---------------|-----|-----|-----|-----|-----|-----|
| | | 3 | 4 | 5 | 3 | 4 | 5 |
| Dim. in mm | a | 93 | 93 | 93 | 93 | 93 | 93 |
| | b | 90 | 90 | 90 | 90 | 90 | 90 |
| | c | 36 | 36 | 36 | 36 | 36 | 36 |
| | d | 60 | 60 | 60 | 60 | 60 | 60 |
| | e | 60 | 60 | 60 | 60 | 60 | 60 |
| | f | 4.5 | 4.5 | 4.5 | 4.5 | 4.5 | 4.5 |
| | k | 26 | 27 | 27 | 43 | 43 | 43 |
| | l | 68 | 68 | 73 | 73 | 73 | 73 |
| | m | - | - | - | 78 | 78 | 78 |
| | n | - | - | - | 15 | 15 | 15 |
| Terminal for cond. cross section (mm ²) min.-max. | | 1.5 | 1.5 | 1.5 | 2.5 | 2.5 | 2.5 |
| | | -4 | -4 | -4 | -6 | -6 | -6 |