

Wall mounted inlet SCHUKO

Part number: 10864



MENNEKES
Elektrotechnik GmbH & Co. KG

Aloys-Mennekes-Straße 1
57399 Kirchhundem
GERMANY

www.MENNEKES.org

Product Description

- screw connection technology
- nickel plated contacts
- internal fixing
- with protective cap attached by a strap
- enclosure base with stamped recess for quick cutting out
- cable entry also possible on the back side
- with double PE-conductor acc. to German and French-Belgian standard
- with bayonet ring

Technical Details

Wall mounted inlet SCHUKO	10864
Product serie	SCHUKO
Ampere	16A
Number of poles	2p+PE
Nominal voltage AC	230V
Protection type IP	IP68
Contact carrier	nickel plated contacts
Connection	screw terminals
Tightening torque connection terminal	PZ2, slot
Tightening torque external screws	PZ2, slot
Phase inverter	without phase inverter
Pilot contact	without pilot contact
Cable entry at the top	1 x M20
Cable entry at the bottom	1 x M20 (blind)
Blind cable entry at the rear	yes
Enclosure base can be turned 180°	no
Insertion direction	straight
Type of mounting	internal fixing
Military version	no
Protection cap	with protection cap
Recommended wire end treatment for supply cable connection terminal	ferrule square gasproof crimped
Conductor cross-section min.	1.5 mm ²
Conductor cross-section max.	2.5 mm ²

Wall mounted inlet SCHUKO	10864
Weight (net)	226 g
Packaging unit	10 Stück
Quantity per pallet	880 Stück
EAN / identification number	4015394035725

Permissible ambient conditions

	Min.	Max.
Permanent ambient temperature	-5 °C	40 °C
Average temperature over 24 hours		35 °C

Material properties

Housing	PC light grey [similar RAL 7035]
Base	PC light grey [similar RAL 7035]
Front part	PA6 blue [similar RAL 5007]
Flange	PC light grey [similar RAL 7035]
Protective cap	PA6 light grey [similar RAL 7035]
Bayonet ring	PC light grey [similar RAL 7035]

Material resistance

The material resistance overview can be found on the website in the section "Knowledge" - "Product knowledge" - "Materials".

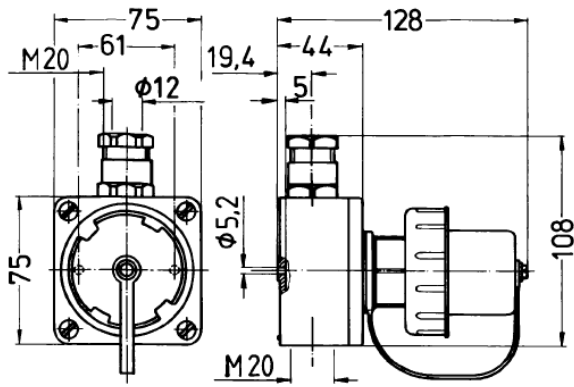
Material and environmental properties

RoHS 2011/65/EU incl. 2015/863/EU	✓
POP regulation (EU) 2019/1021	✓

Regulations and Standards

Norm	DIN VDE 0620-2-1
Declaration of Conformity	CE
Test label	EAC, VDE

Dimensional Drawing



Drawing
2 MB 167

Dim. in mm

closed by membrane