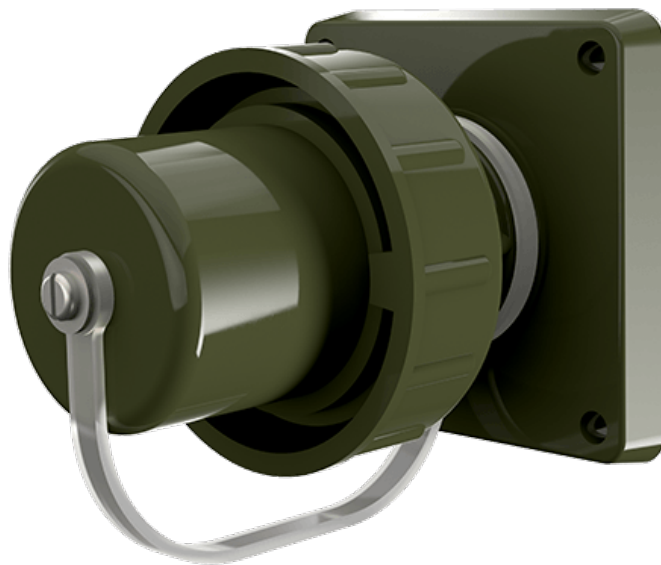


# Panel mounted inlet SCHUKO

Part number: 10853



**MENNEKES**  
Elektrotechnik GmbH & Co. KG

Aloys-Mennekes-Straße 1  
57399 Kirchhundem  
GERMANY

[www.MENNEKES.org](http://www.MENNEKES.org)

# Product Description

- screw connection technology
- nickel plated contacts
- external fixing
- with protective cap attached by a strap
- a retaining nose to hold the hinged lid of the connector must be provided by the customer in order to ensure satisfactory locking
- (form AP)
- with double PE-conductor acc. to German and French-Belgian standard
- with bayonet ring

# Technical Details

Panel mounted inlet SCHUKO	10853
Product serie	SCHUKO
Ampere	16A
Number of poles	2p+PE
Nominal voltage AC	230V
Protection type IP	IP68
Contact carrier	nickel plated contacts
Connection	screw terminals
Tightening torque connection terminal	PZ2, slot
Phase inverter	without phase inverter
Pilot contact	without pilot contact
Flange dimensions	75 x 75 mm
Hole spacings	60 x 60 mm
Insertion direction	straight
Type of mounting	external fixing
Military version	yes
Protection cap	with protection cap
Recommended wire end treatment for supply cable connection terminal	ferrule square gasproof crimped
Conductor cross-section max.	2.5 mm <sup>2</sup>
Weight (net)	139 g
Packaging unit	10 Stück
Quantity per pallet	880 Stück

Panel mounted inlet SCHUKO	10853
EAN / identification number	4015394035657

Permissible ambient conditions		
	Min.	Max.
Permanent ambient temperature	-5 °C	40 °C
Average temperature over 24 hours		35 °C

Material properties	
Housing	PA6 bronze green [similar RAL 6031]
Flange	PA6 bronze green [similar RAL 6031]
Protective cap	PA/ABS bronze green [similar RAL 6031]
Bayonet ring	PA6 bronze green [similar RAL 6031]

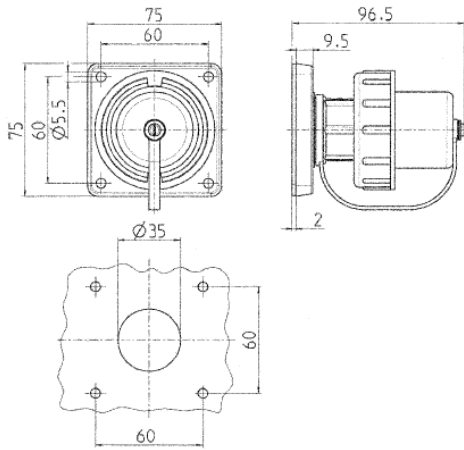
**Material resistance**

The material resistance overview can be found on the website in the section “Knowledge” - “Product knowledge” - “Materials”.

Material and enviromental properties	
RoHS 2011/65/EU incl. 2015/863/EU	✓
POP regulation (EU) 2019/1021	✓

Regulations and Standards	
Norm	DIN VDE 0620-2-1
Declaration of Conformity	CE
Test label	EAC, VDE

# Dimensional Drawing



Drawing  
2 MB 164

Dim. in mm