

# Plug PowerTOP

Part number: 3842



**MENNEKES**  
Elektrotechnik GmbH & Co. KG

Aloys-Mennekes-Straße 1  
57399 Kirchhundem  
GERMANY

[www.MENNEKES.org](http://www.MENNEKES.org)

## Product Description

- screw connection technology
- highly heat resistant contact carrier, nickel plated contacts
- protection against kinking
- strain relief
- cable gland and external cable grip

## Technical Details

| Plug PowerTOP   | 3842  |
|---|---|
| Product serie   | PowerTOP  |
| Ampere  | 32A   |
| Number of poles   | 4p  |
| Clock position  | 7h  |
| Nominal voltage AC  | 500V  |
| Nominal frequency   | 50 - 60 Hz  |
| Protection type IP  | IP67  |
| Contact carrier   | highly heat resistant contact carrier, nickel plated contacts |
| Connection  | screw terminals   |
| Contact screw drive   | PZ2, slot   |
| Recommended wire end treatment for supply cable connection terminal | ferrule square gasproof crimped                               |
| Phase inverter  | without phase inverter  |
| Pilot contact   | without pilot contact   |
| Conductor cross-section min.  | 2.5 mm <sup>2</sup>   |
| Conductor cross-section max.  | 6 mm <sup>2</sup>   |
| Cable kink protection   | integrated in cable gland                                     |
| Protective grommet  | without protective grommet                                    |
| Protective cap  | without protective cap  |
| Weight (net)  | 324 g   |
| Packaging unit  | 10 pcs  |
| Quantity per pallet   | 540 pcs   |
| EAN / identification number   | 4015394099703   |

Permissible ambient conditions

|                               | Min.   | Max.  |
|-------------------------------|--------|-------|
| Permanent ambient temperature | -25 °C | 40 °C |

Material properties

|              |   |
|--------------|---|
| Cover        | PA6 black [similar RAL 9005]            |
| Front part   | PA6 squirrel grey [similar RAL 7000]    |
| Bayonet ring | PC/PET squirrel grey [similar RAL 7000] |
| Fastening    | PC/PET squirrel grey [similar RAL 7000] |

Material resistance

The material resistance overview can be found on the website in the section “Knowledge” - “Product knowledge” - “Materials”.

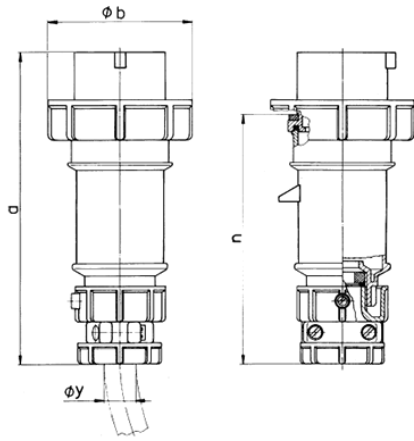
Material and environmental properties

|                                   |   |
|-----------------------------------|---|
| RoHS 2011/65/EU incl. 2015/863/EU | ✓ |
| POP regulation (EU) 2019/1021     | ✓ |

Regulations and Standards

|                           |                              |
|---------------------------|------------------------------|
| Norm                      | DIN EN IEC 60309-2           |
| Declaration of Conformity | CE                           |
| Test label                | CB Zertifikat, VDE, EAC, CQC |

# Dimensional Drawing



| Drawing<br>2 MB 171                  | Amp.<br>Poles | 16   |      |      | 32   |      |      |
|--------------------------------------|---------------|------|------|------|------|------|------|
|                                      |               | 3    | 4    | 5    | 3    | 4    | 5    |
| Dim. in mm                           | a             | 162  | 172  | 186  | 199  | 199  | 213  |
|                                      | b             | 71   | 79   | 89   | 95   | 95   | 102  |
|                                      | n             | 129  | 139  | 152  | 157  | 157  | 172  |
|                                      | y             | 19   | 19   | 22   | 24.5 | 24.5 | 28.5 |
| Terminal for cond. cross             |               | 1    | 1    | 1    | 2.5  | 2.5  | 2.5  |
| section (mm <sup>2</sup> ) min.-max. |               | -2.5 | -2.5 | -2.5 | -6   | -6   | -6   |