

Plug PowerTOP Xtra R

Part number: 24970



MENNEKES
Elektrotechnik GmbH & Co. KG

Aloys-Mennekes-Straße 1
57399 Kirchhundem
GERMANY

www.MENNEKES.org

Product Description

- economic enclosure design with nubbed grip areas
- enclosure with thread lock and safety slide
- rubberised bayonet ring
- highly heat resistant contact carrier, nickel plated contacts
- frame terminals
- protection against kinking
- strain relief
- rubberised cable gland with sealing
- with protective cap
- (form DS)

Technical Details

Plug PowerTOP Xtra R	24970
Product serie	PowerTOP Xtra R
Ampere	125A
Number of poles	5p
Clock position	6h
Nominal voltage AC	400V
Nominal frequency	50 - 60 Hz
Protection type IP	IP67
Contact carrier	highly heat resistant contact carrier, nickel plated contacts
Connection	frame terminals
Contact screw drive	allen key
Tightening torque connection terminal	10 Nm
Recommended wire end treatment for supply cable connection terminal	usable with and without ferrule
Strip length jacket	110 mm
Strip length conductor	27 mm
Phase inverter	without phase inverter
Pilot contact	1 pilot contact
Conductor cross-section min.	25 mm ²
Conductor cross-section max.	50 mm ²
Cable kink protection	integrated in cable gland
Protective grommet	without protective grommet
Protective cap	with protective cap

Plug PowerTOP Xtra R	24970
Weight (net)	1640 g
Packaging unit	5 pcs
Quantity per pallet	160 pcs
EAN / identification number	4015394247753

Permissible ambient conditions

	Min.	Max.
Permanent ambient temperature	-25 °C	40 °C

Material properties

Cover	PBT/PC bronze green [similar RAL 6031]
	TPE anthracite [similar RAL 7016]
Front part	PBT/PC bronze green [similar RAL 6031]
	TPE black [similar RAL 9005]
Protective cap	PC bronze green [similar RAL 6031]
Bayonet ring	PBT/PC black [similar RAL 9005]
	TPE anthracite [similar RAL 7016]
Clamp basket	PBT/PC squirrel grey [similar RAL 7000]
	TPE natural colour [no RAL colour code]
Fastening	PBT/PC bronze green [similar RAL 6031]
	TPE anthracite [similar RAL 7016]

Material resistance

The material resistance overview can be found on the website in the section “Knowledge” - “Product knowledge” - “Materials”.

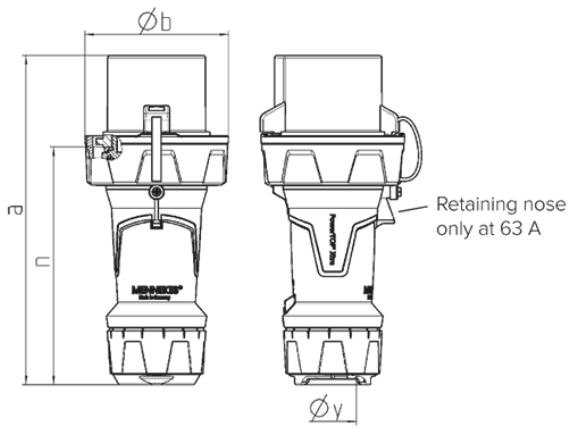
Material and environmental properties

RoHS 2011/65/EU incl. 2015/863/EU	✓
POP regulation (EU) 2019/1021	✓

Regulations and Standards

Norm	DIN EN IEC 60309-2
Declaration of Conformity	CE
Test label	CB Zertifikat, VDE, EAC, CQC

Dimensional Drawing



Drawing	Amp.	63	125
2 MB 241	Poles	5	5
Dim. in mm	a	260	300
	b	114	130
	n	188	219
	y	36	49
Terminal for cond. cross section (mm ²) min.-max.		6 —16	25 —50