

Wandcontactdoos

Bestelnr. 5061A

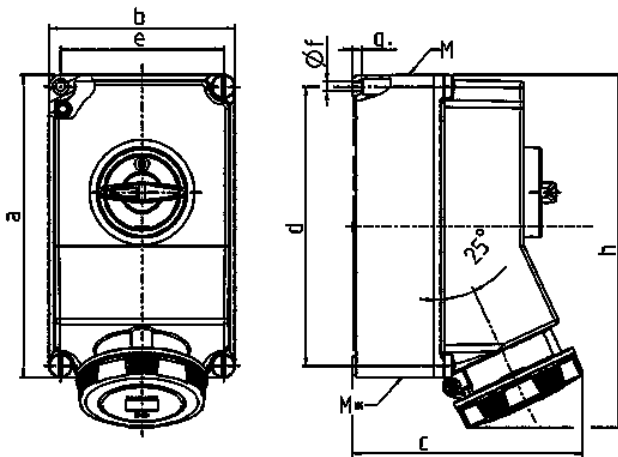


- schroefklemmen
- X-CONTACT®
- afschakelbaar

Technische informatie

| | |
|---------------------|------------|
| Ampère | 63 A |
| Polen | 5 p |
| Voltage | 400 V |
| Uurstand | 6 h |
| Hertz | 50-60 Hz |
| Contacten | X-CONTACT® |
| Beschermingsgraad | IP 67 |
| Behuizing materiaal | Kunststof |
| Gewicht | 2492 g |

Tekeningen



| Tekening | Amp. | 63 | | |
|-------------------------|--------------|--------|--------|--------|
| | | 3 | 4 | 5 |
| 1 MB 180 | Polen | | | |
| Maten in mm | a | 260 | 260 | 260 |
| | b | 160 | 160 | 160 |
| | c | 198 | 198 | 198 |
| | d | 240 | 240 | 240 |
| | e | 140 | 140 | 140 |
| | f | 8,1 | 8,1 | 8,1 |
| | g | 8 | 8 | 8 |
| | h | 303 | 303 | 303 |
| | M | 40 | 40 | 40 |
| | M* | 2 x 40 | 2 x 40 | 2 x 40 |
| Kabel Ø tot mm | | 27 | 27 | 27 |
| Kabelaansluiting | | 6 | 6 | 6 |
| van/tot mm² | | —25 | —25 | —25 |