

## Inbouwcontactdoos TM

Bestelnr. 24630

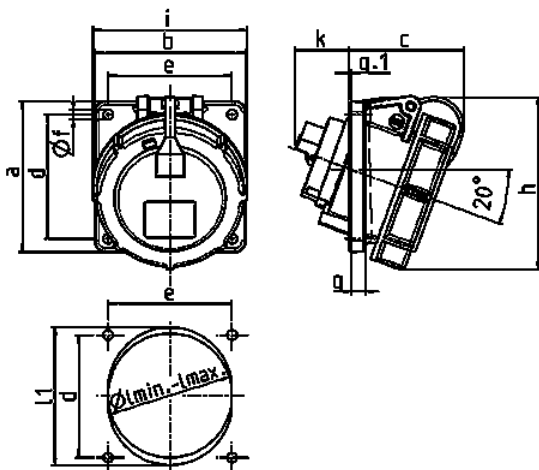


- schroefklemmen
- hittebestendig binnenwerk
- vernikkelde contacten
- 20° hoek
- (Vorm BS)

### Technische informatie

|                   |  |
|-------------------|--|
| Ampère            | 16 A   |
| Polen             | 3 p  |
| Voltage           | 230 V  |
| Uurstand          | 6 h  |
| Hertz             | 50-60 Hz   |
| Aansluittechniek  | schroefklemmen                                   |
| Contacten         | hittebestendig binnenwerk, vernikkelde contacten |
| Beschermingsgraad | IP 67  |
| Flens             | 85x85 mm   |
| Bevestigingsgaten | 70x70 mm   |
| Hoek              | 20 °   |
| Gewicht           | 176 g  |
| Certificeringen   | VDE, EAC   |

### Tekeningen



| Tekening                | Amp.<br>Polen | 16  |     | 32  |     | 63    |
|-------------------------|---------------|-----|-----|-----|-----|-------|
|                         |               | 3   | 5   | 3/4 | 5   | 3/4/5 |
| <b>1 MB 474</b>         |               |     |     |     |     |       |
| <b>Maten in mm</b>      | <b>a</b>      | 85  | 85  | 85  | 85  | 114   |
|                         | <b>b</b>      | 85  | 85  | 85  | 85  | 114   |
|                         | <b>c</b>      | 71  | 65  | 65  | 80  | 98    |
|                         | <b>d</b>      | 70  | 70  | 70  | 70  | 90    |
|                         | <b>e</b>      | 70  | 70  | 70  | 70  | 90    |
|                         | <b>f</b>      | 5,5 | 5,5 | 5,5 | 5,5 | 5,5   |
|                         | <b>g</b>      | 8   | 8   | 8   | 8   | 12    |
|                         | <b>g.1</b>    | 2   | 2   | 2   | 2   | 2     |
|                         | <b>h</b>      | 92  | 98  | 101 | 115 | 135   |
|                         | <b>i</b>      | 70  | 87  | 94  | 101 | 112   |
|                         | <b>k</b>      | 39  | 33  | 53  | 53  | 70    |
|                         | <b>l min.</b> | 57  | 70  | 78  | 78  | 92    |
|                         | <b>l max.</b> | 78  | 78  | 78  | 78  | 105   |
|                         | <b>ll</b>     | —   | —   | —   | —   | 105   |
| <b>Kabelaansluiting</b> |               | 1,5 | 1,5 | 2,5 | 2,5 | 6     |
| <b>van/tot mm²</b>      |               | —4  | —4  | —10 | —10 | —25   |